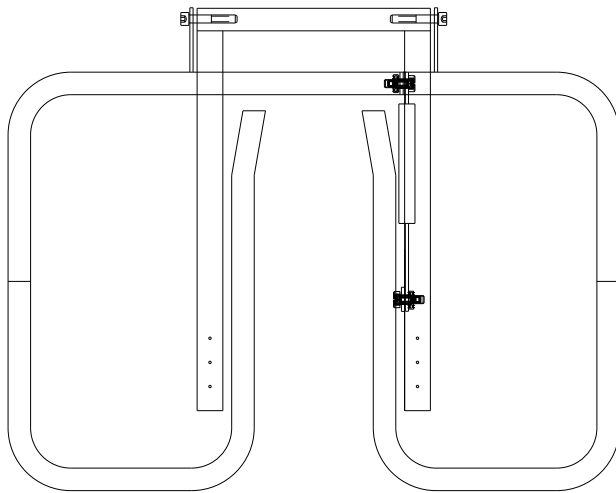
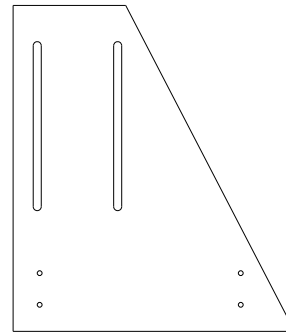


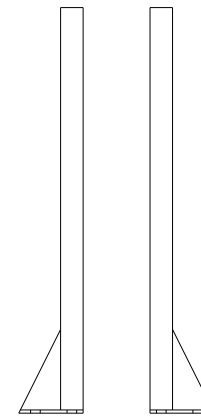
sx-L-03 INSTALLATION GUIDE



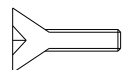
#1 Armrest frame

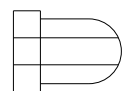


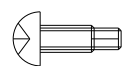
#2 Base

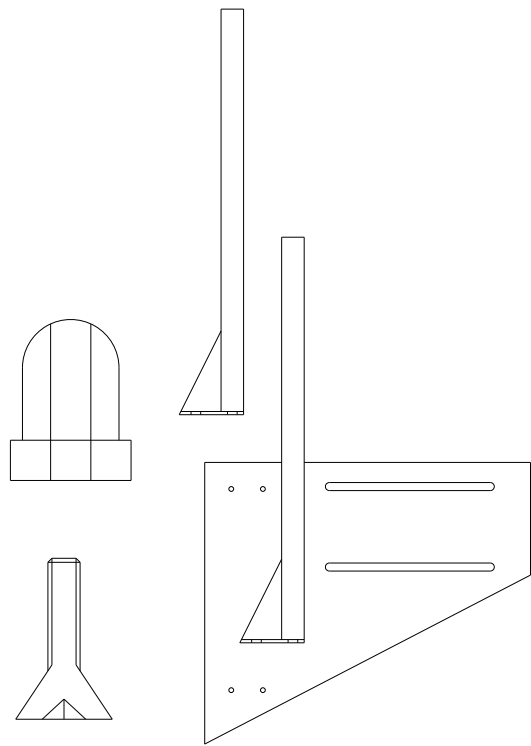


#3 Bracket

 6*16=4pcs

 M 6=2pcs

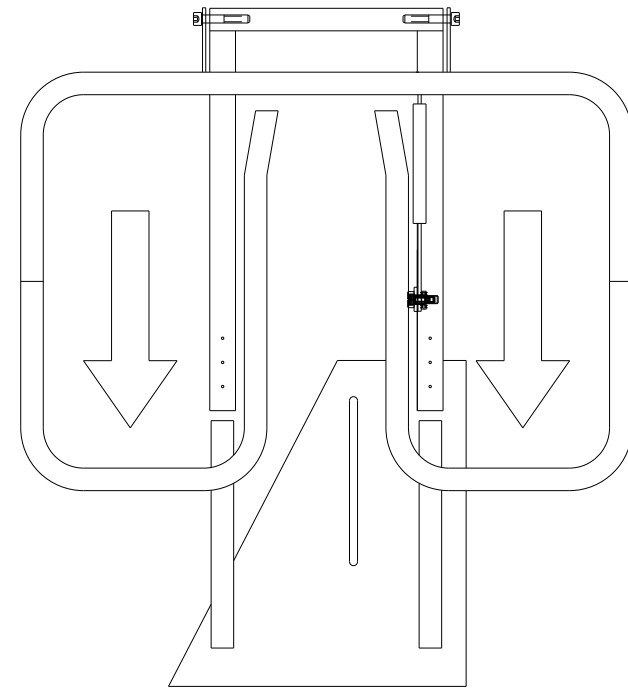
 4*16=6pcs



A

6*16=4pcs M6=2pcs

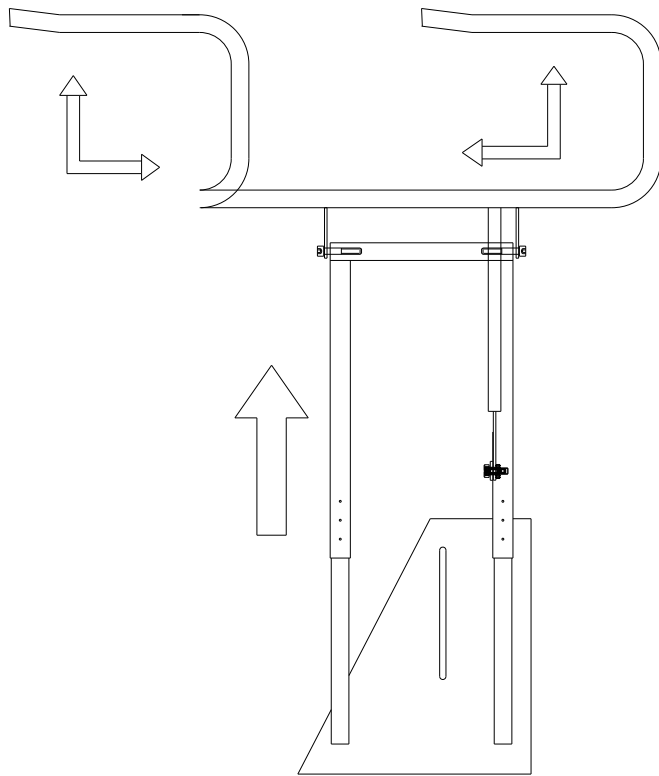
Tightening #2 and #3 frame accessories with screws



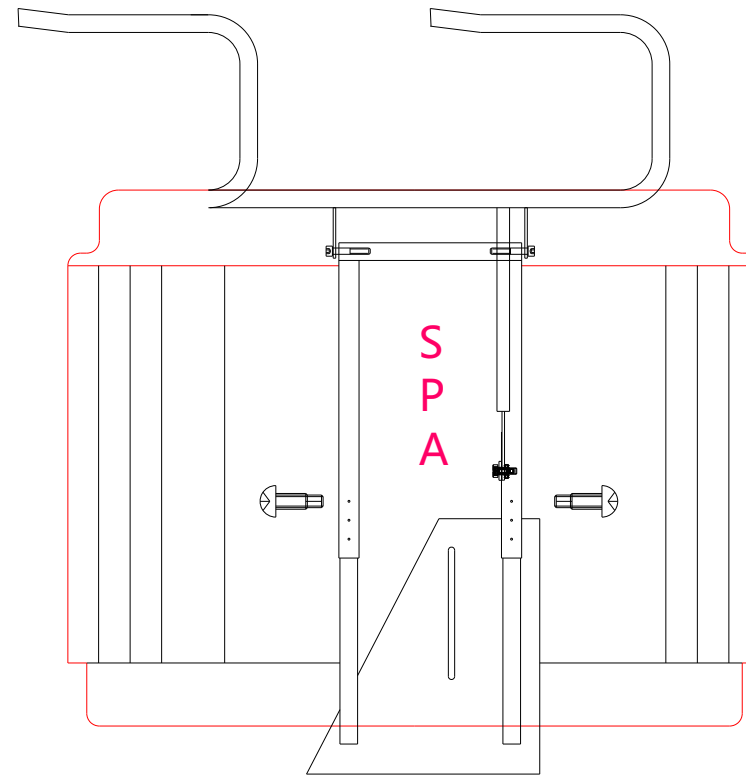
B

Put the #1 set on the #3 stand

Adjust the bracket as the
SPA at the same level



C



D

4*16=6pcs

Raise the #1 stand up and
open the left and right arm

Put the bracket#2 in the bottom of the SPA to press the pressure,
adjust the height of the bracket, make the left and right arm of
the bracket parallel with the SPA surface, and then use the screw

Note - if installed with the undermount bracket or direct to a conductive surface (including undermount bracket sitting on concrete under the spa), this cover lifter must be earth bonded by your electrician.